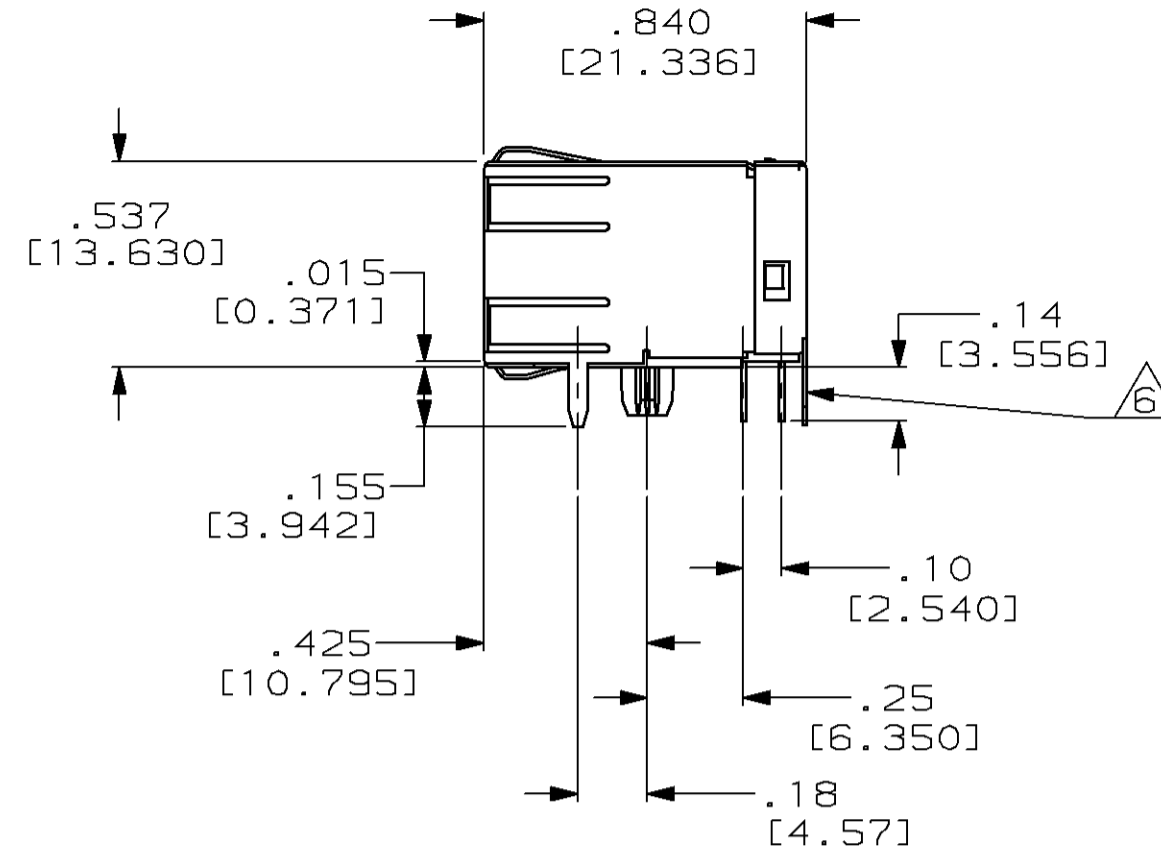
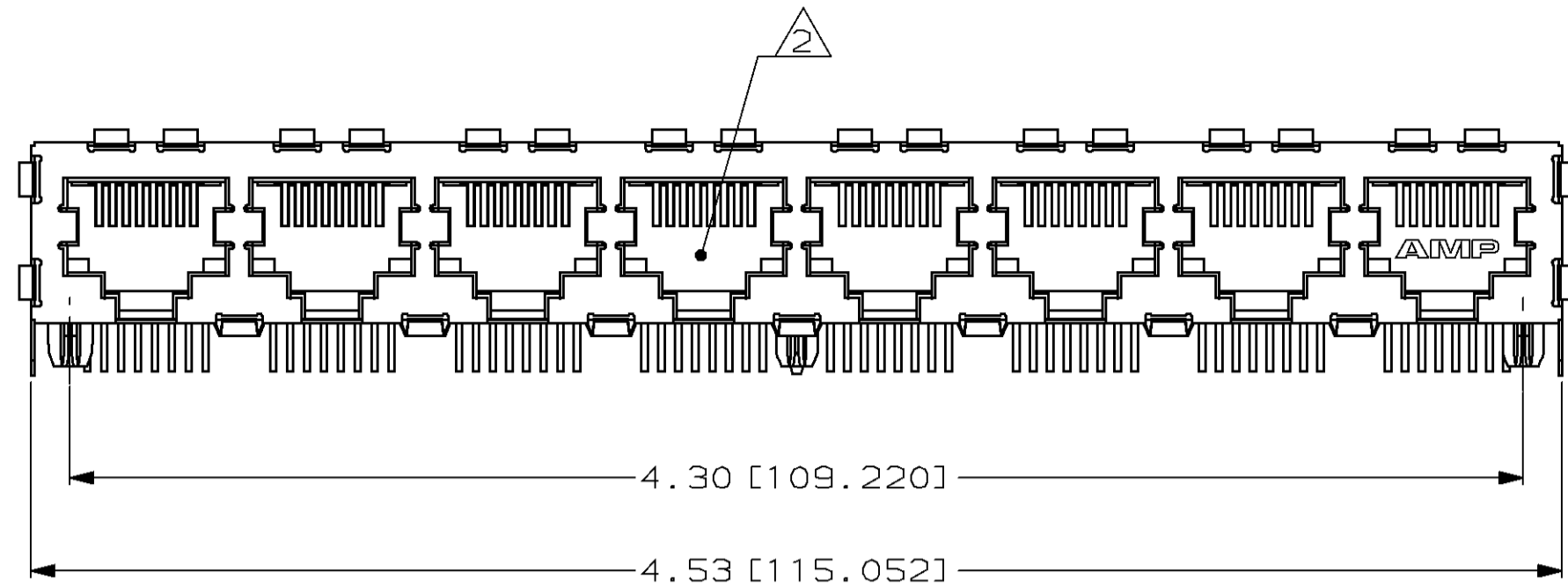
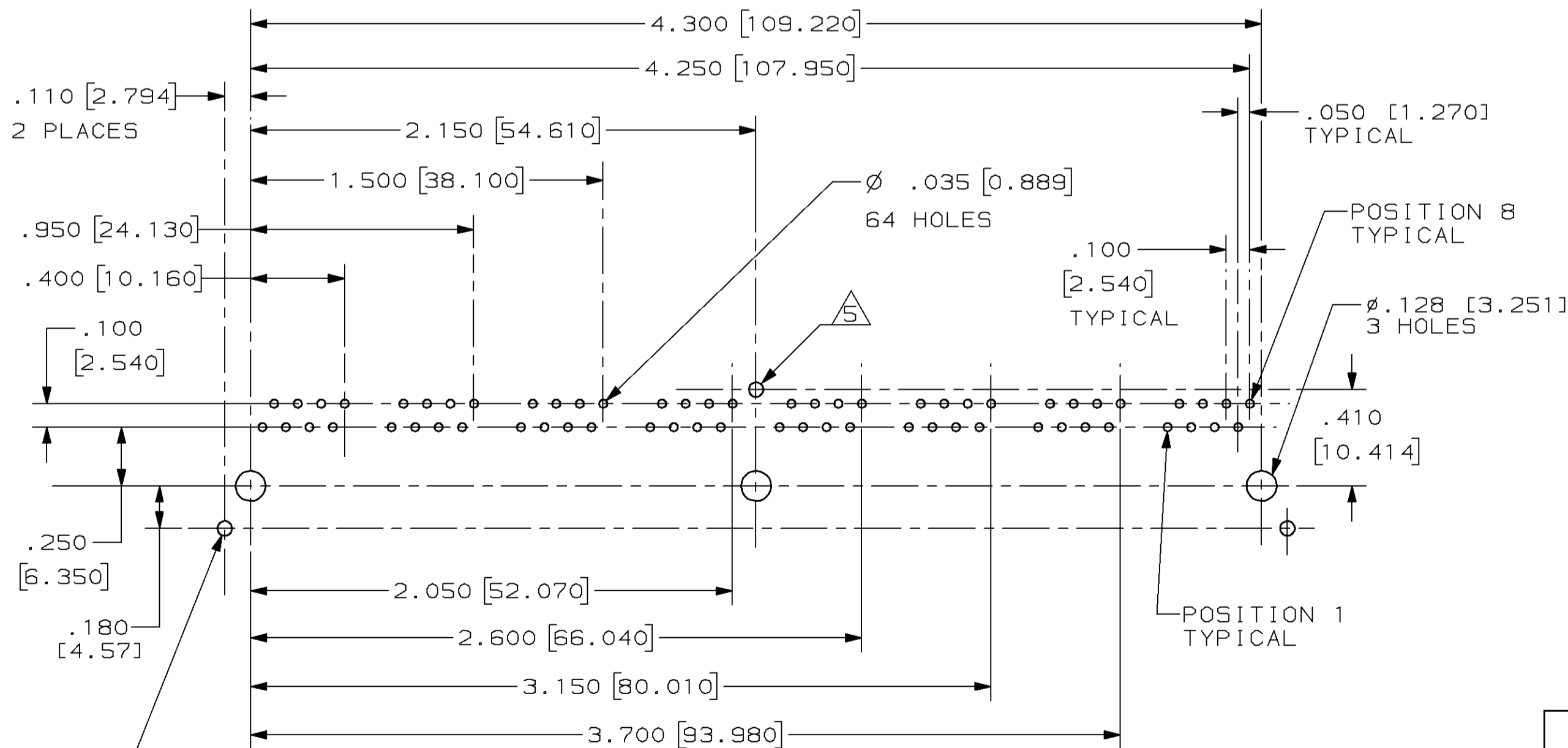


THIS DRAWING IS UNPUBLISHED. RELEASED FOR PUBLICATION  
 BY AMP INCORPORATED. ALL RIGHTS RESERVED.

LOC	DIST	REVISIONS				
		P	LTR	DATE	DWN	APVD
AA	22	A	REV; EC 0502-0734-97	24NOV97	DS	DW



- 1 MATERIAL:  
 HOUSING - NYLON, BLACK, UL94V-0.  
 OVERMOLDED TERMINAL ARRAY - PBT, BROWN.  
 TERMINALS-.013 [0.33] THICK PHOS BRONZE  
 PLATED WITH .000050 [1.27μm] THICK HARD  
 GOLD IN LOCALIZED AREA AND .000150 [3.81μm]  
 THICK TIN-LEAD IN SOLDER AREA OVER .000050  
 [1.27μm] THICK NICKEL UNDERPLATE.  
 SHIELD-.010 [0.254] THICK COPPER ALLOY  
 PLATED WITH .000080 [2.03μm] MINIMUM  
 TIN-LEAD OVER .000100 [2.54μm] MINIMUM  
 COPPER.
- 2 JACK CAVITY COMFORMS TO FCC RULES AND  
 REGULATIONS, PART 68 SUBPART F.
3. ALL DIMENSIONS SHOWN ARE NOMINAL UNLESS  
 OTHERWISE SPECIFIED.
4. ALL DIMENSIONS SHOWN IN BRACKETS [ ] ARE  
 IN MILLIMETERS.
- 5 THIS HOLE IS NEEDED FOR -1 ONLY.
- 6 THIS TAB REMOVED ON -2.



SUGGESTED PC BOARD LAYOUT  
 COMPONENT SIDE  
 SEE APPLICATION SPECIFICATION

WITHOUT REAR PC BOARD GROUND TAB	406491-2
WITH REAR PC BOARD GROUND TAB	406491-1
DESCRIPTION	PART NO.

THIS DRAWING IS A CONTROLLED DOCUMENT FOR AMP INCORPORATED. IT IS SUBJECT TO CHANGE AND THE CONTROLLING ENGINEERING ORGANIZATION SHOULD BE CONTACTED FOR THE LATEST REVISION.		DWN V. SLACK 13MAR92	AMP Incorporated Harrisburg, PA 17105-3608	
DIMENSIONS: INCHES [mm]		CHK B. FOX 10JUN92	NAME	
TOLERANCES UNLESS OTHERWISE SPECIFIED:		APVD G. REED 15JUN92	PRODUCT SPEC	
0 PLC ±-		108-1392		
1 PLC ±-		APPLICATION SPEC		
2 PLC ±.01 [0.254]		114-2048		
3 PLC ±.005 [0.127]		WEIGHT		
4 PLC ±-		-		
ANGLES ±-		SIZE		
FINISH		A2		
MATERIAL		CAGE CODE		
△		00779		
△		DRAWING NO		
CUSTOMER DRAWING		C=406491		
SCALE		SHEET		
2:1		1 OF 1		
		REV		
		A		